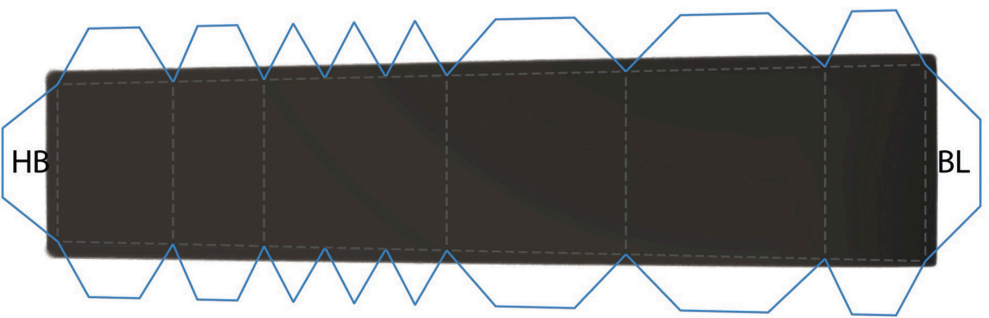


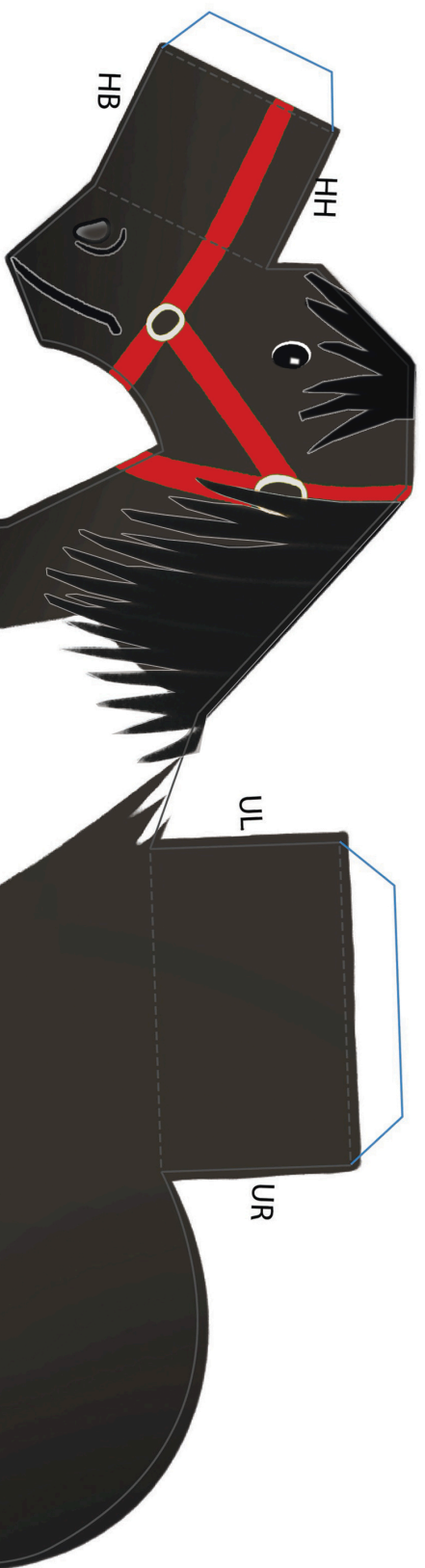
*inside of front leg*



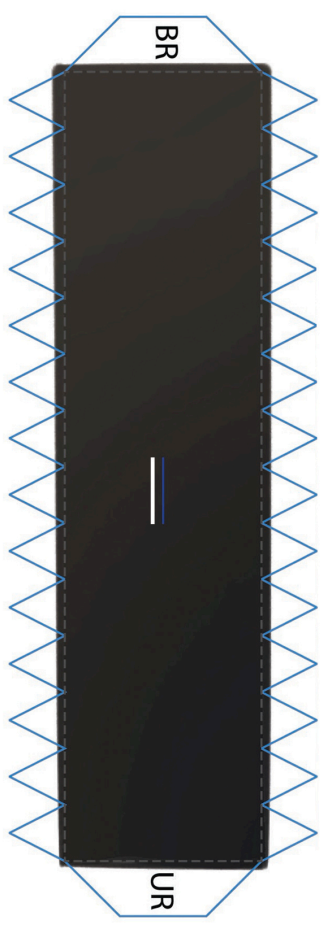
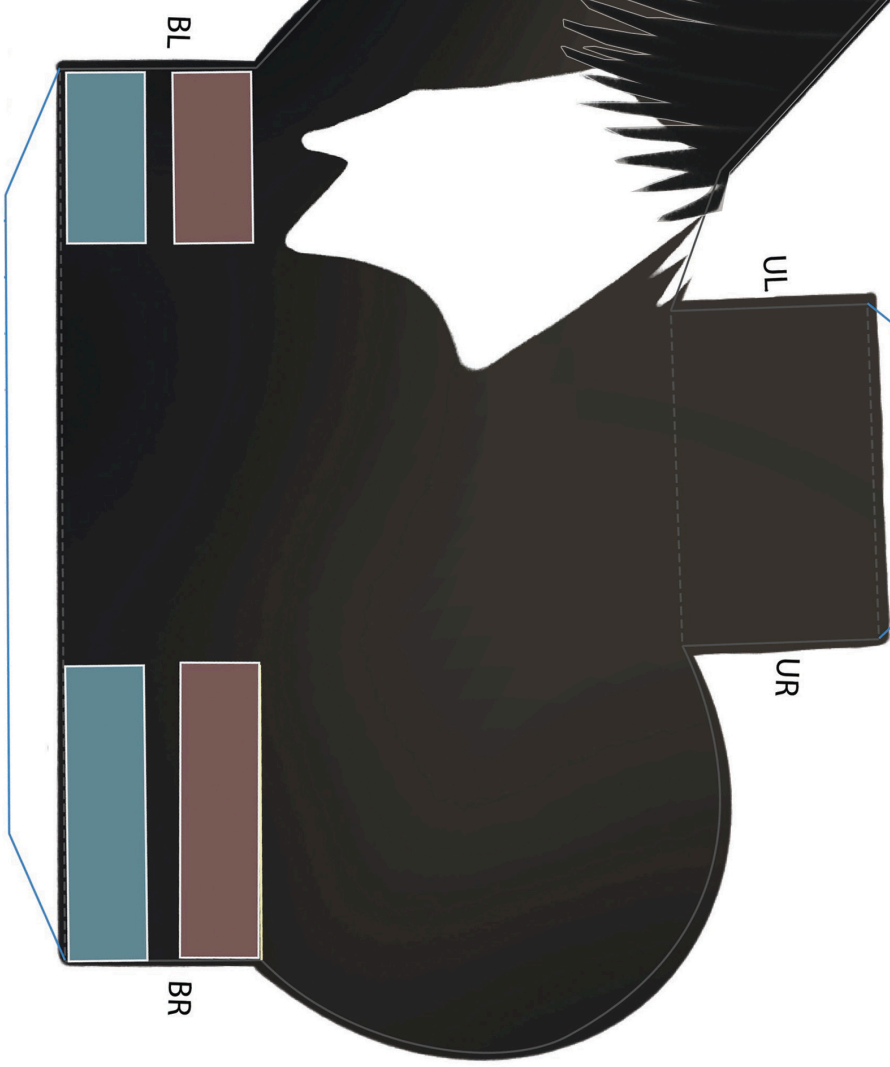
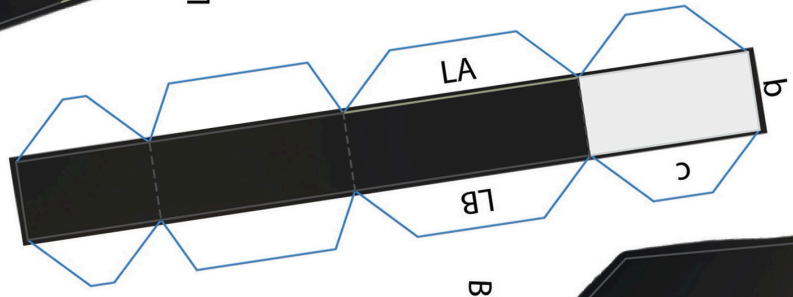
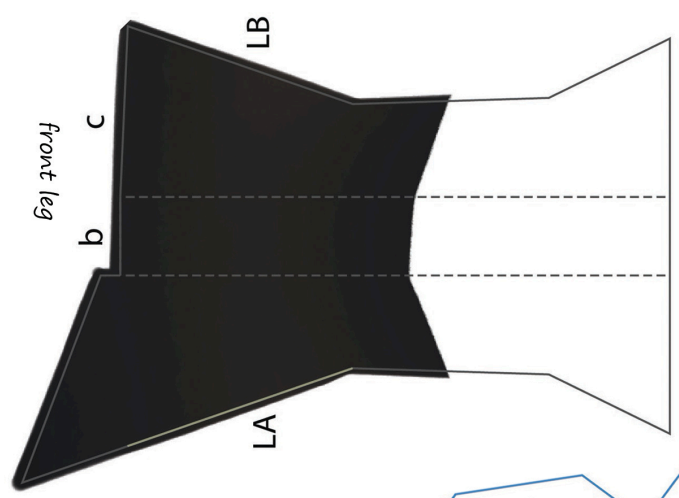
*glue tail pieces back to back to make it double-sided*



*the BL-HB part forms the inside of Scamper's head and lower neck  
for proper alignment, first attach the HB end to the HB part of the tab on his head  
the BL end meets his lower body*

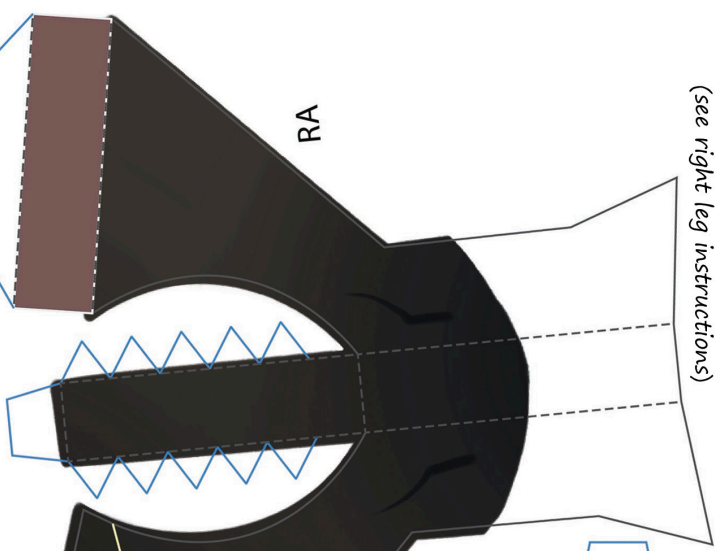


inside of front leg  
fold white over, that  
part attaches to body

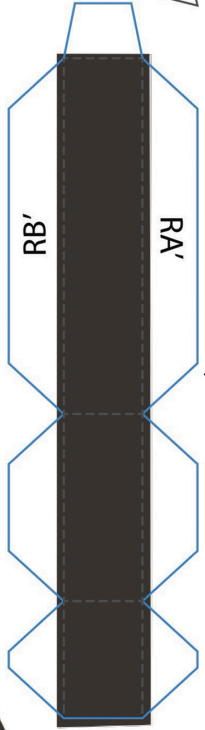


top of hindquarters with tail slot  
attach UR end to UR on body tab

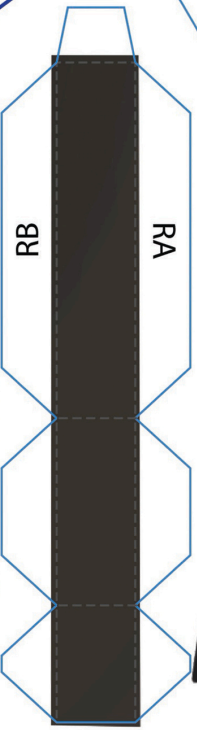
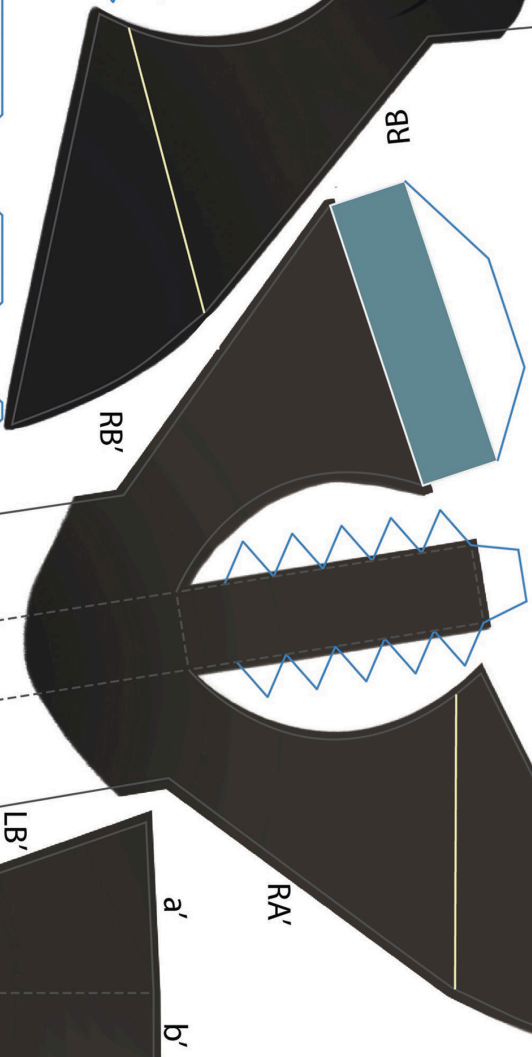
left back leg  
(see right leg instructions)



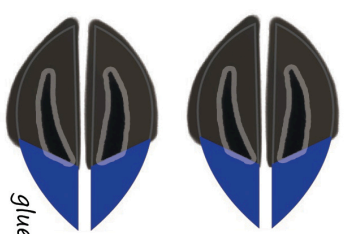
The 2 RA-RB pieces form the front of the back legs  
white tab is at the top



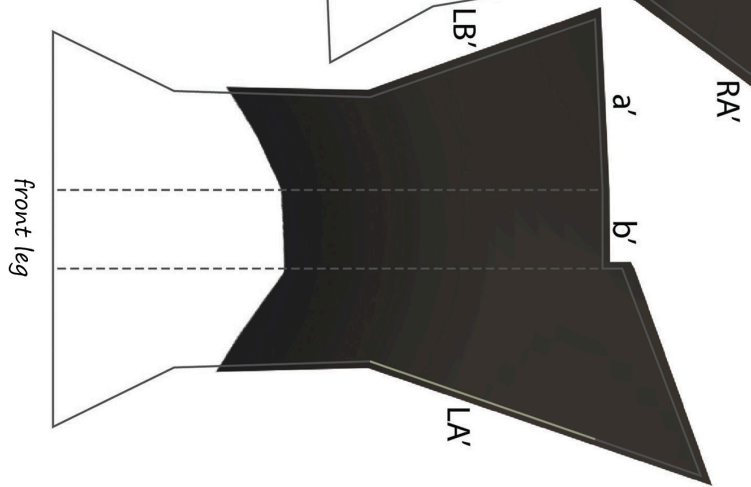
right back leg  
the triangular tabs are used to form the curve of the upper leg  
the colored tab attaches to the same color on the bottom of the horse's body



Top of head/neck with ear slots



glue ears so they're double-sided



Front leg